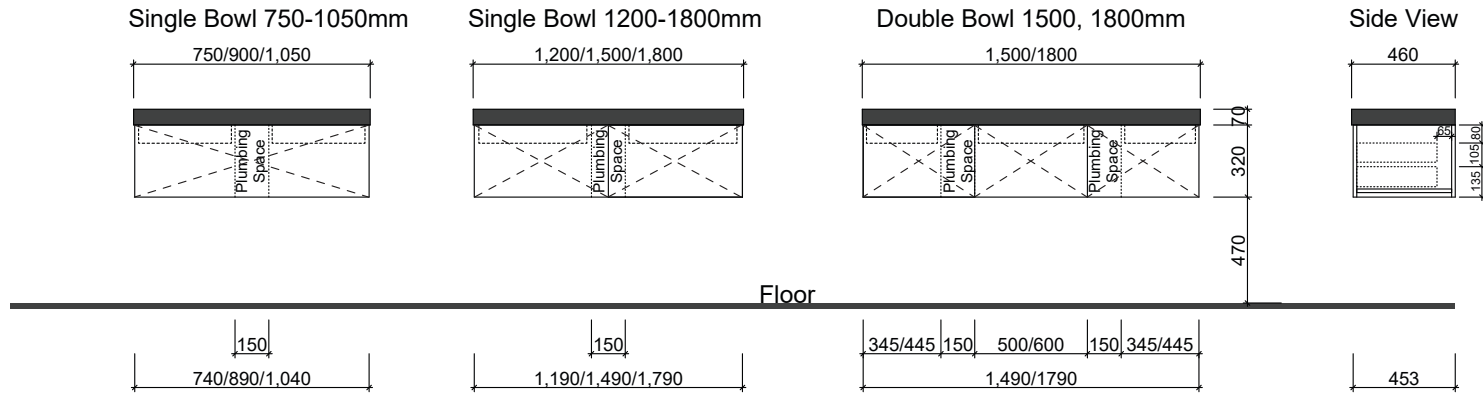
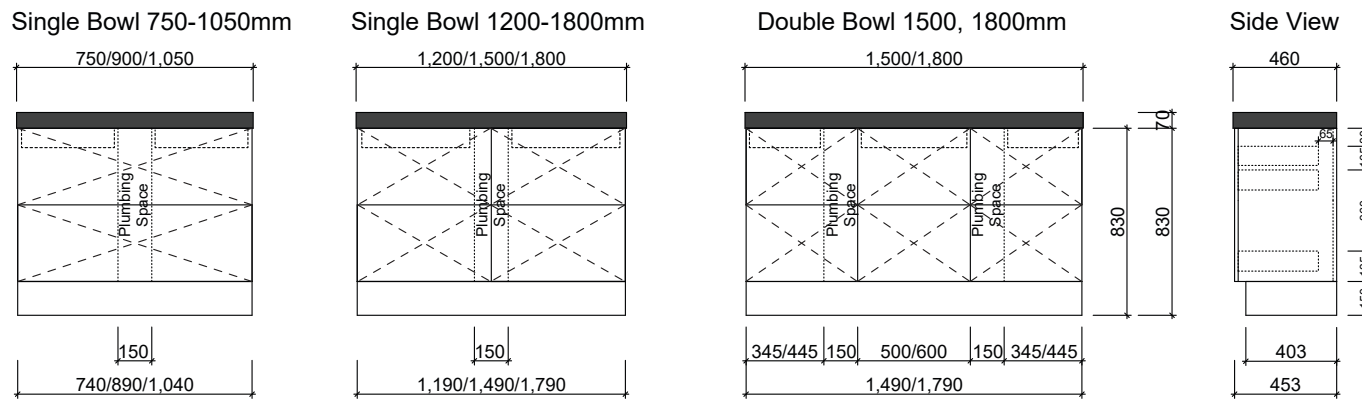


# ORLANDO

## Wall Hung



## Floor Standing



Plumbing Void = 150mm

**Waste size:** Acrylic = 40mm, Ceramic = 32mm, Sculptured Marble = 32mm

**Note:** Where left or right hand options are available please specify or else cabinets will be supplied as per these drawings. All vanity top and basin sizes are nominal only. E&OE