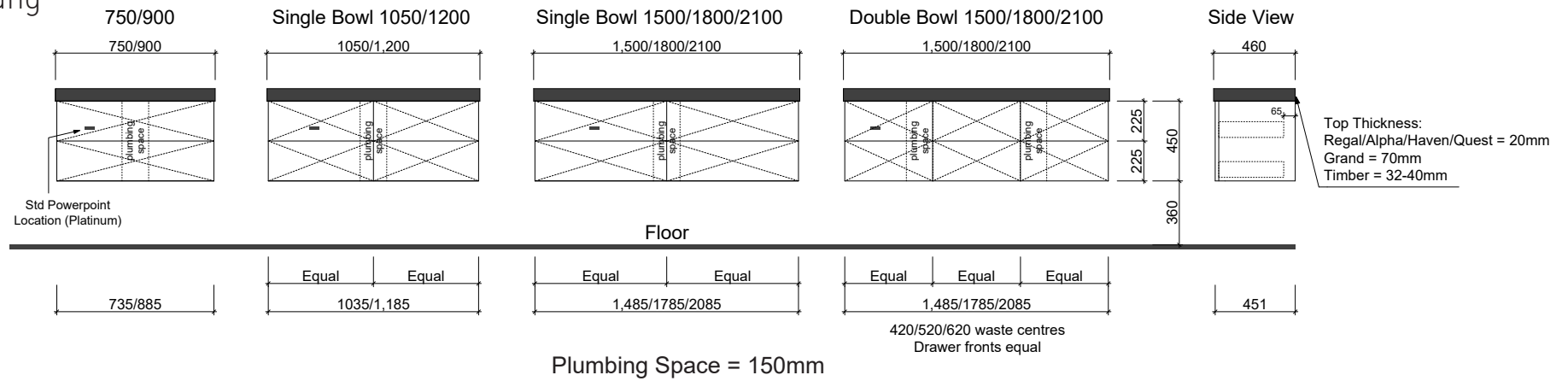
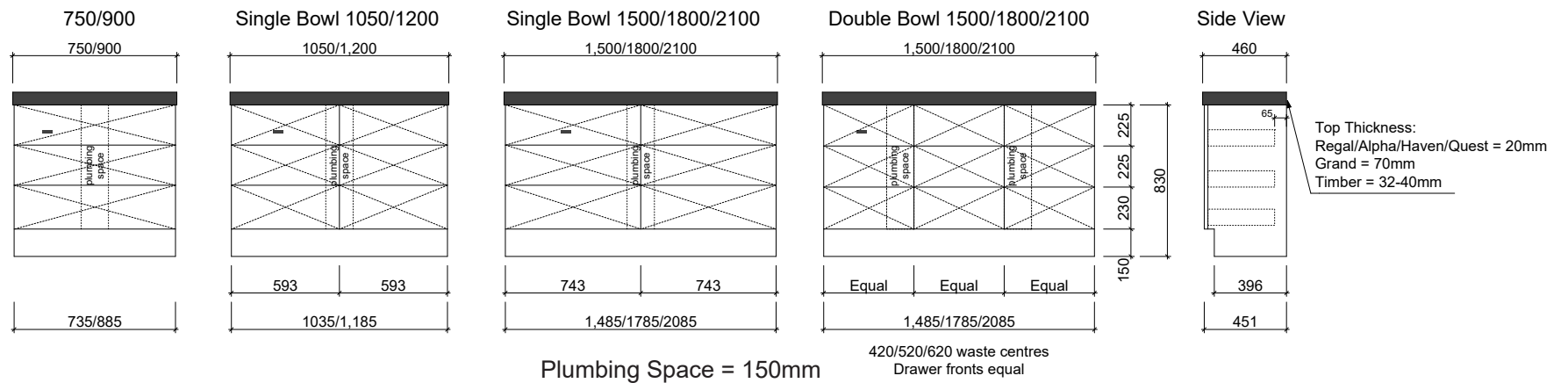


PANAMA

Wall Hung



Floor Standing



Waste size: Acrylic = 40mm, Ceramic = 32mm, Sculptured Marble = 32mm

Note: Where left or right hand options are available please specify or else cabinets will be supplied as per these drawings. All vanity top and basin sizes are nominal only. E&OE



Timberline