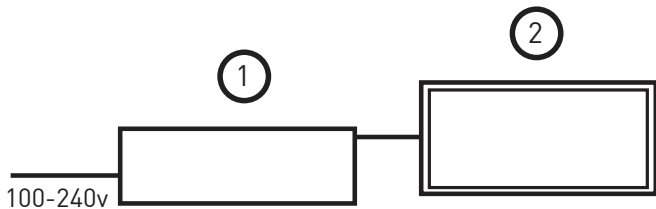
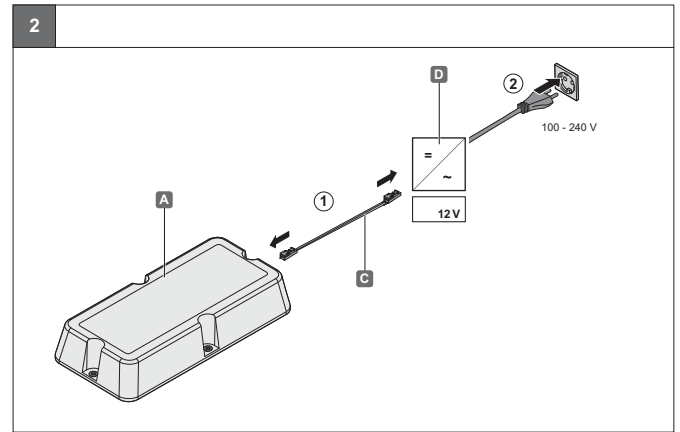
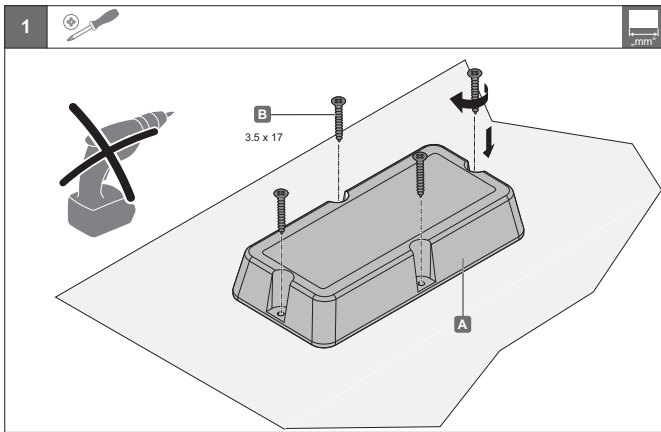


Bluetooth Sound System Installation Guide



(1) 240V Transformer: Client's electrician to mount appropriately

(2) 105W sound system with integrated exciter mounted to interior of cabinet
NOTE: Must be installed on the side panel of the vanity/shaver/tallboy.

Product Details

Area of application	Concealed installation in bathrooms
Power consumption	Operation: 7W, standby: < 0.3W
Wattage	Audio power: 5W (RMS)
Dimensions	66 x 25 x 140 mm
Reception range	Approx 10m

