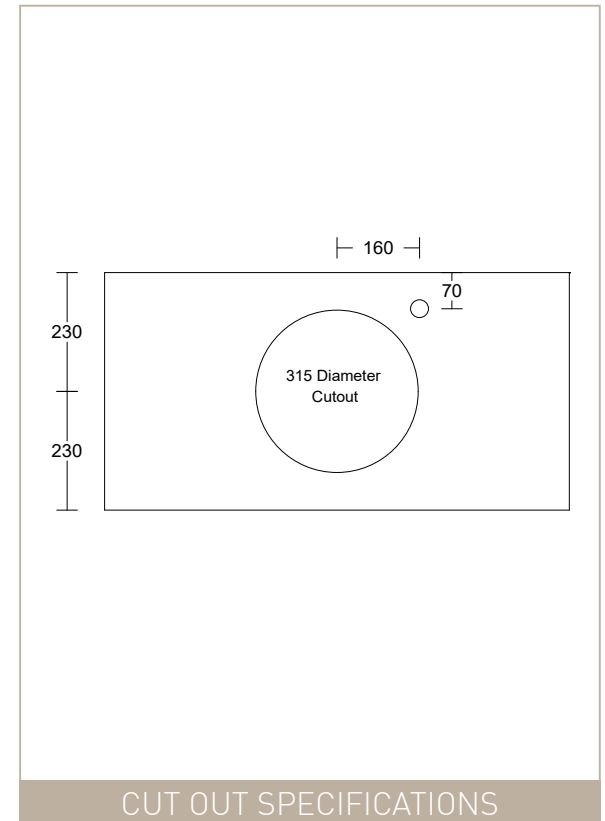
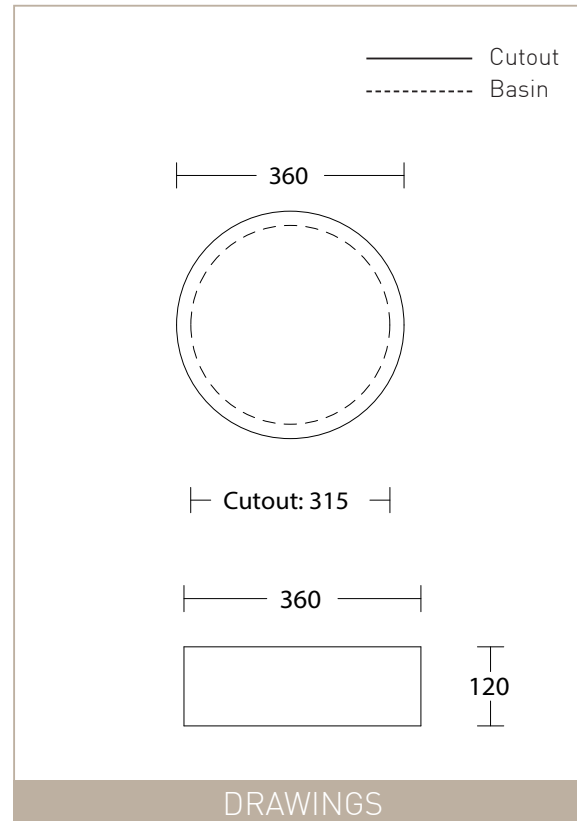


ALLURE UNDERMOUNT

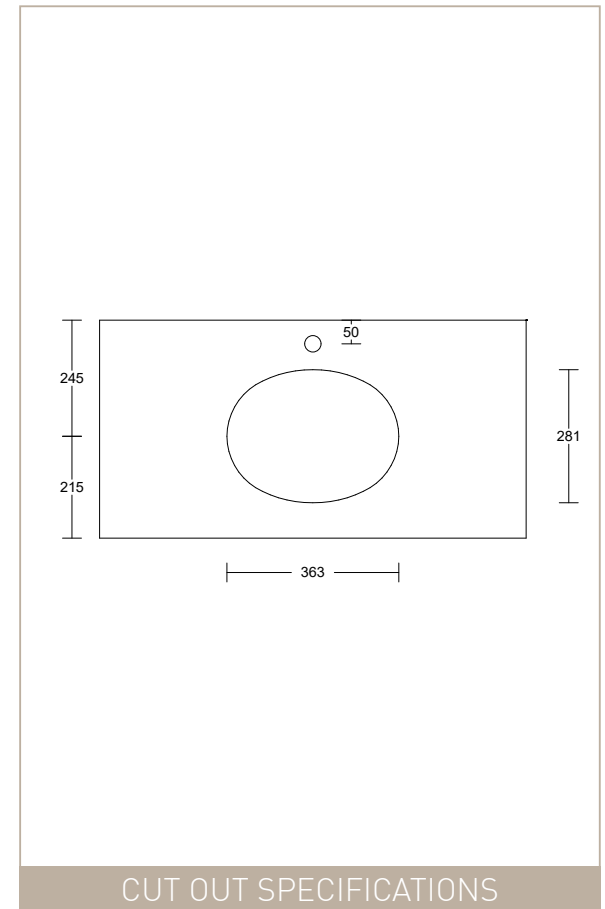
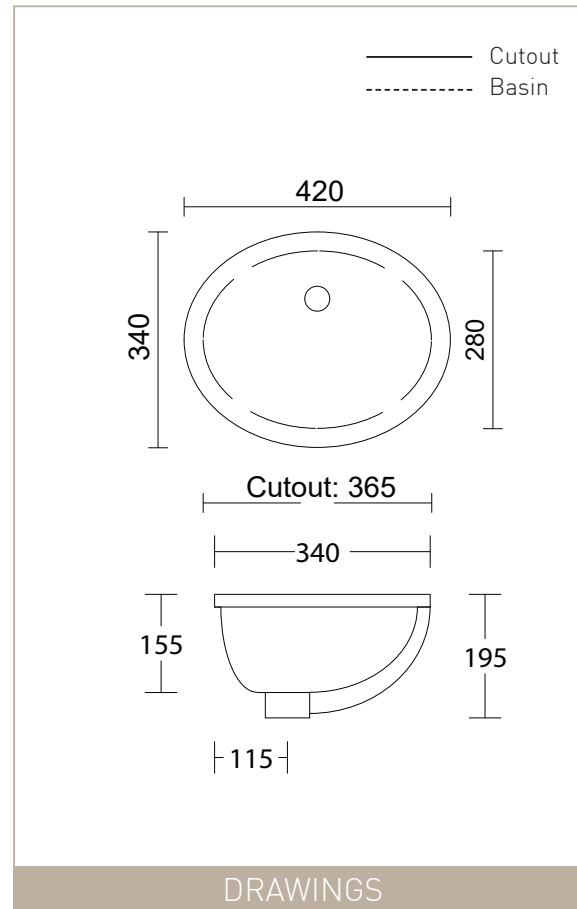
- WG** = White Gloss Available
- WM** = White Matt Available
- BM** = Black Matt Available
- GM** = Grey Matt Available
- LGM** = Light Grey Matt Available
- BM** = Blue Matt Available
- MM** = Mint Matt Available
- PM** = Pink Matt Available



NOTE: Waste not included **Waste Size:** 32mm **No Overflow**
Minimum Depth: 500mm with taphole behind, 460mm without taphole behind

OVAL UNDERMOUNT

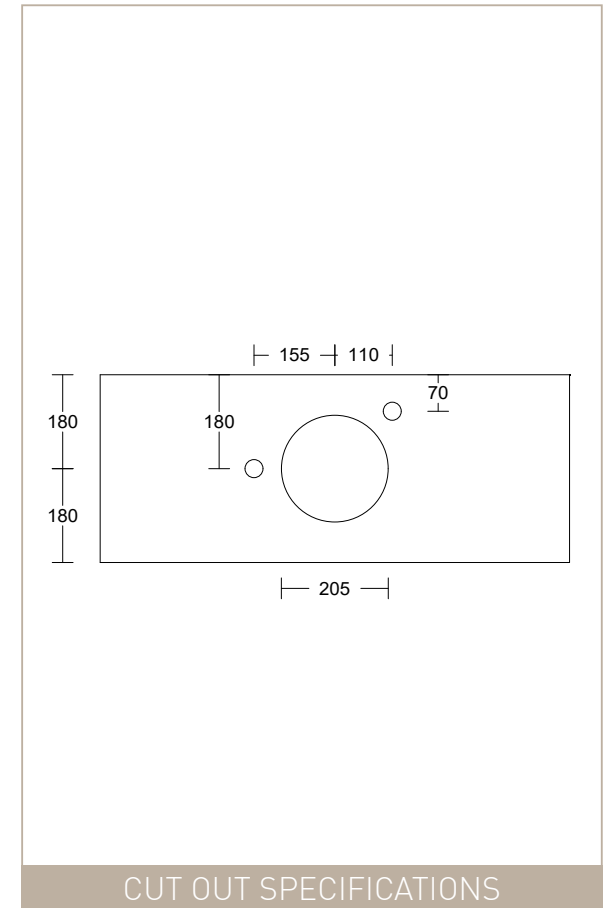
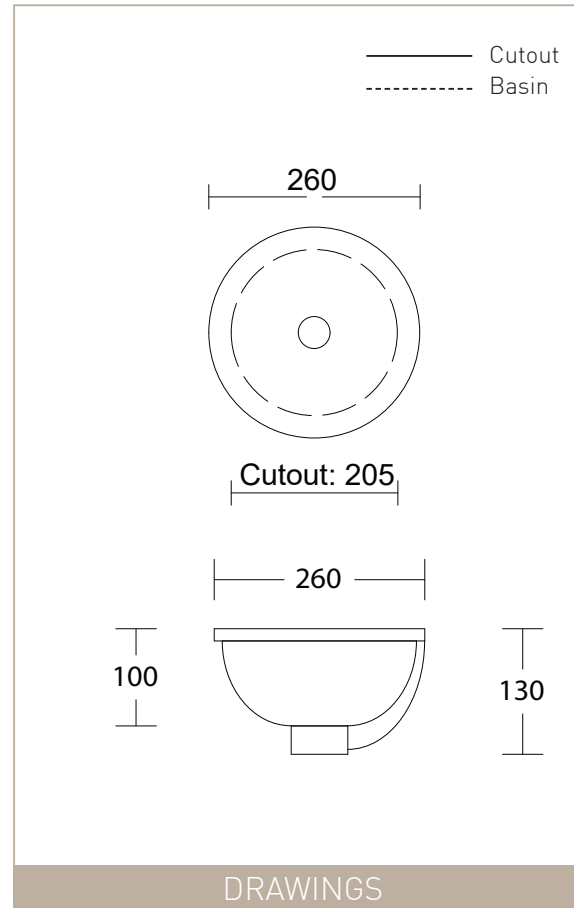
WG = White Gloss Available



NOTE: Waste not included **Waste Size:** 32mm **Overflow to:** Front of Basin
Minimum Depth: 460mm with taphole behind, 420mm without taphole behind

MINI ROUND UNDERMOUNT

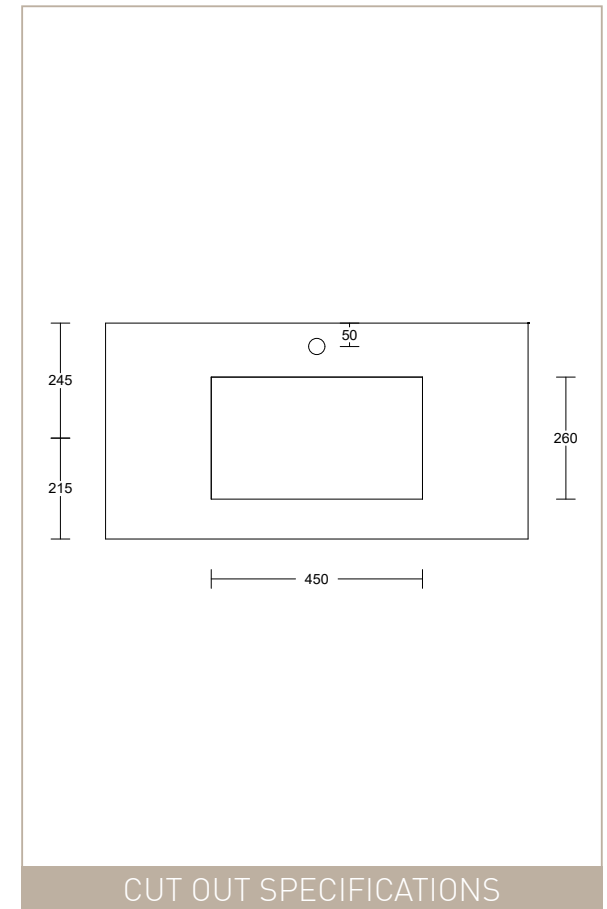
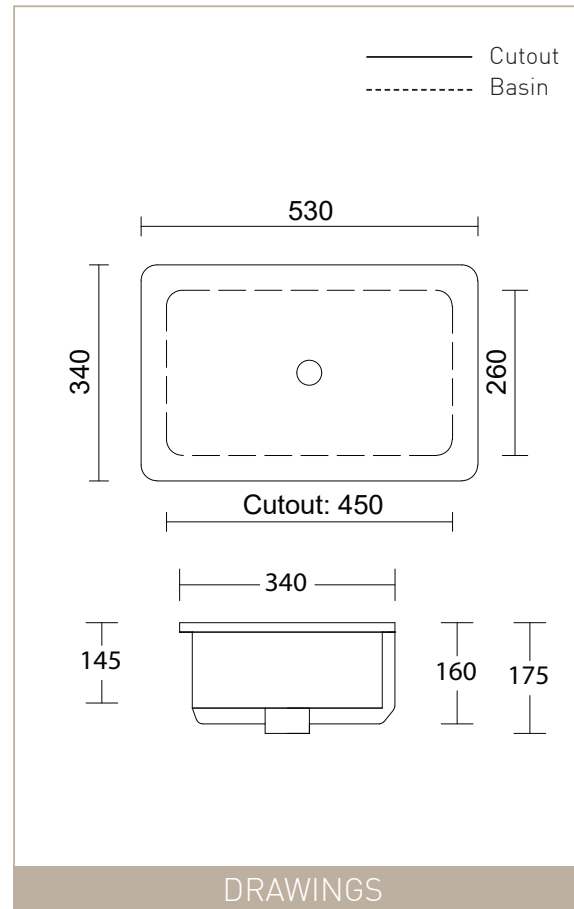
WG = White Gloss Available



NOTE: Waste not included **Waste Size:** 32mm **Overflow to:** Front of Basin
Minimum Depth: 375mm with taphole behind, 340mm without taphole behind

RECTANGLE UNDERMOUNT

WG = White Gloss Available

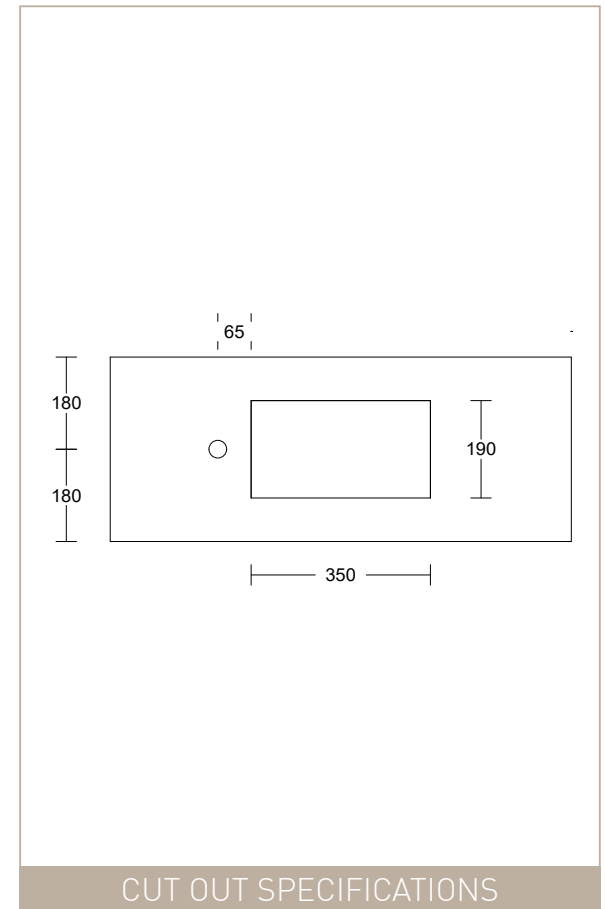
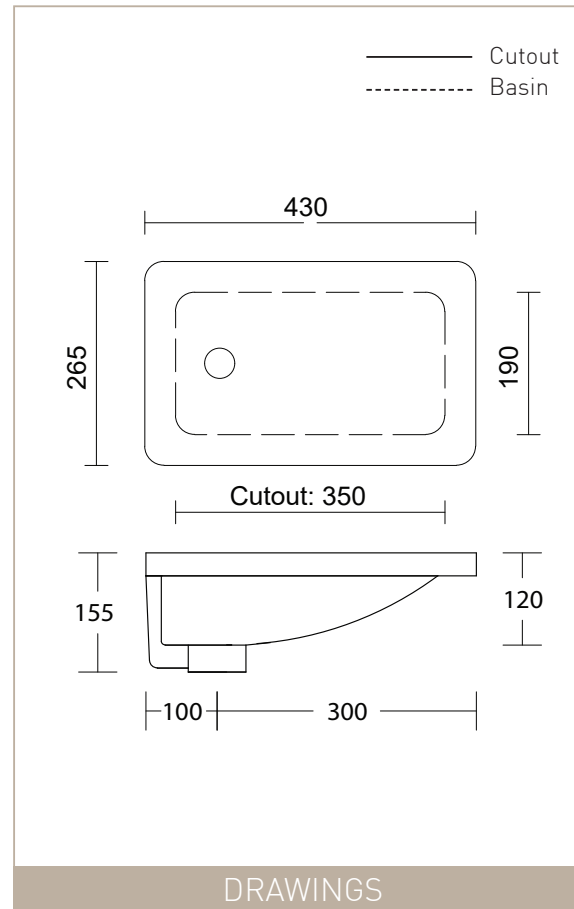


NOTE: Waste not included **Waste Size:** 32mm **Overflow to:** Rear of Basin
Minimum Depth: 460mm with taphole behind, 420mm without taphole behind

MINI RECTANGLE UNDERMOUNT

WG = White Gloss Available

Basin reversible - waste hole available on left or right side



NOTE: Waste not included **Waste Size:** 32mm **Overflow to:** Side of Basin
Minimum Depth: 350mm (taphole must be offset)