



| | |
|-------|--------------------|
| Range | Norfolk Vanity |
| Mount | Wall Hung |
| Size | 1500mm |
| SKU | NOR-VCO-1500-D-X-W |

TOP DETAILS

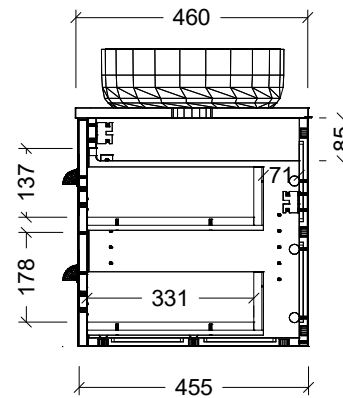
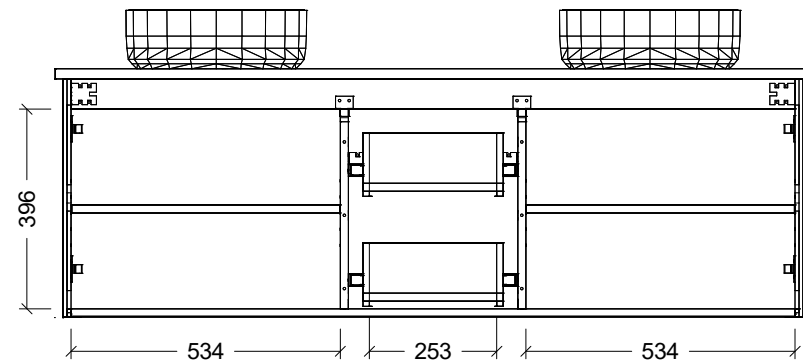
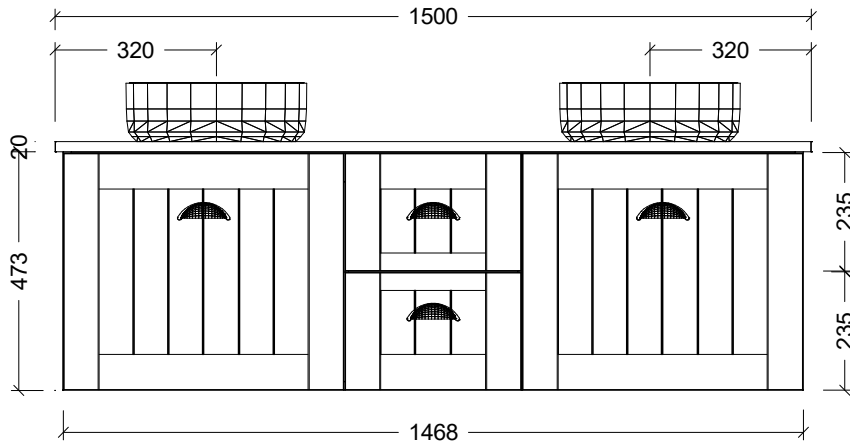
| | |
|----------------|------------------|
| Available Tops | Alpha Top |
| | Silk Surface Top |
| | Stone Top |

NOTES

| | |
|----------|----------|
| Revision | 01 |
| Date | 27/11/23 |

DIMENSIONS SHOWN ARE IN MILLIMETERS, ARE NOMINAL ONLY AND SUBJECT TO CHANGE AT ANY TIME.
DO NOT SCALE DRAWINGS. INSTALLER TO CONFIRM ALL DIMENSIONS ON-SITE PRIOR TO INSTALL.
SIZE VARIATION (+/- 3%) IS TO BE EXPECTED ON CERAMIC TOPS.
E&OE.

Copyright ©



Timberline

22 Myrtle Drive, Armidale NSW 2350
www.timberline.com.au
02 6773 8500