



Range	Norfolk Vanity
Mount	Wall Hung
Size	1800mm
SKU	NOR-VCO-1800-C-X-W

#### TOP DETAILS

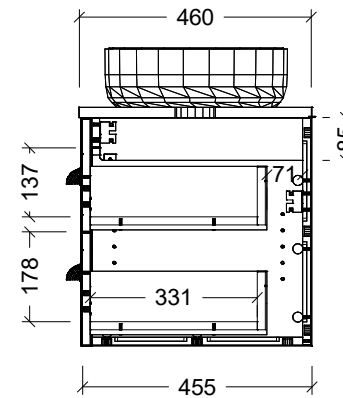
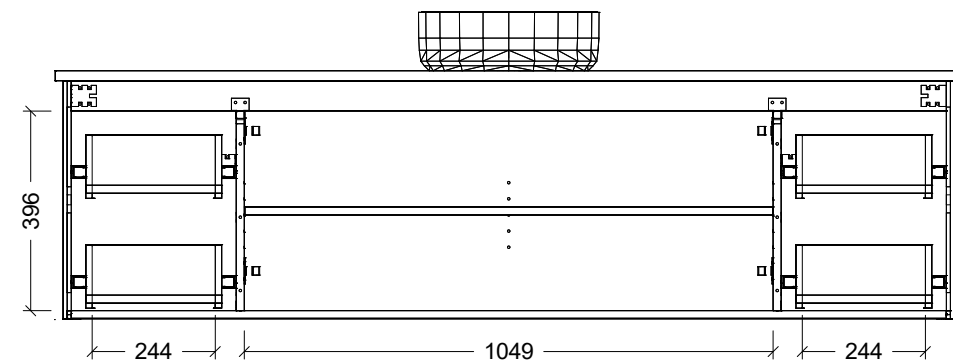
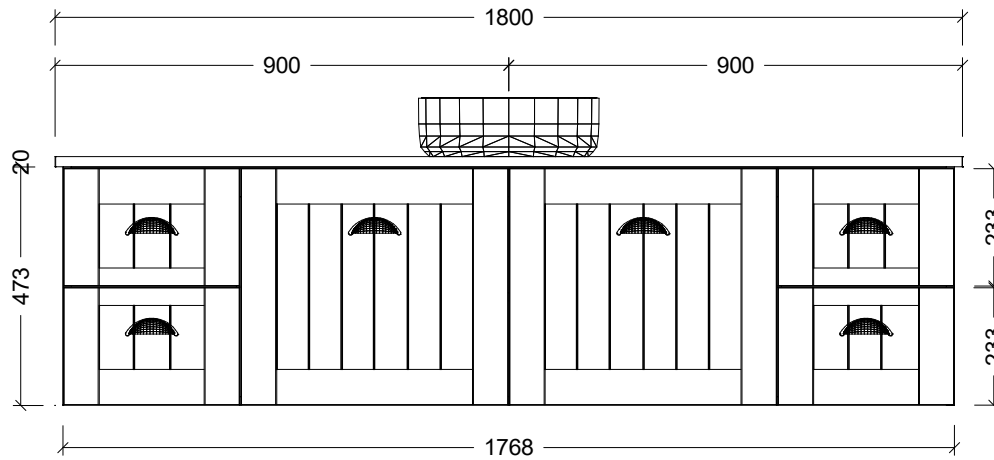
Available Tops	Alpha Top
	Silk Surface Top
	Stone Top

#### NOTES

Revision	01
Date	29/11/23

DIMENSIONS SHOWN ARE IN MILLIMETERS, ARE NOMINAL ONLY AND SUBJECT TO CHANGE AT ANY TIME.  
DO NOT SCALE DRAWINGS.  
INSTALLER TO CONFIRM ALL DIMENSIONS ON-SITE PRIOR TO INSTALL.  
SIZE VARIATION (+/- 3%) IS TO BE EXPECTED ON CERAMIC TOPS.  
E&OE.

Copyright ©



# Timberline

22 Myrtle Drive, Armidale NSW 2350  
www.timberline.com.au  
02 6773 8500