



Range	Austin Cambridge
Mount	Wall Hung
Size	1500
SKU	AUSC-VCO-1500-C-X-W

#### TOP DETAILS

Available Tops	1. Alpha Ceramic
	2. Regal Mineral

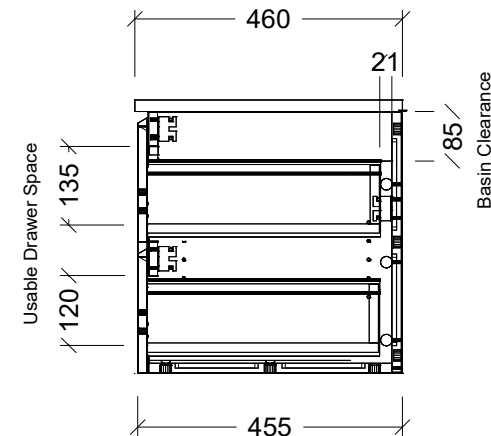
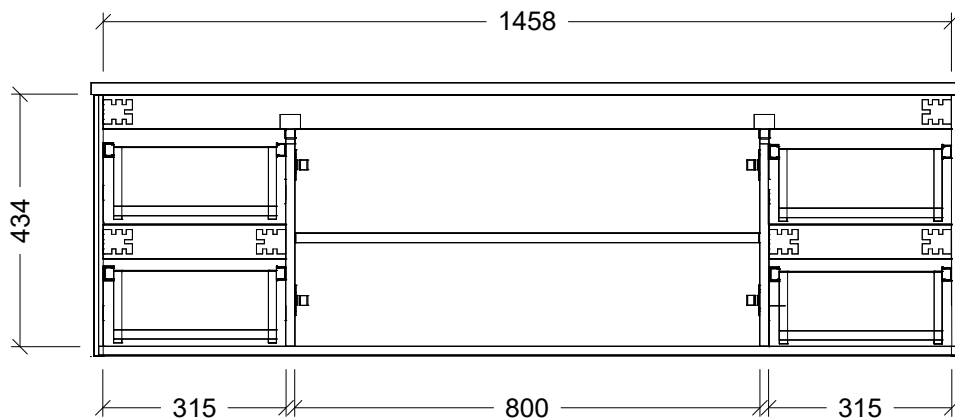
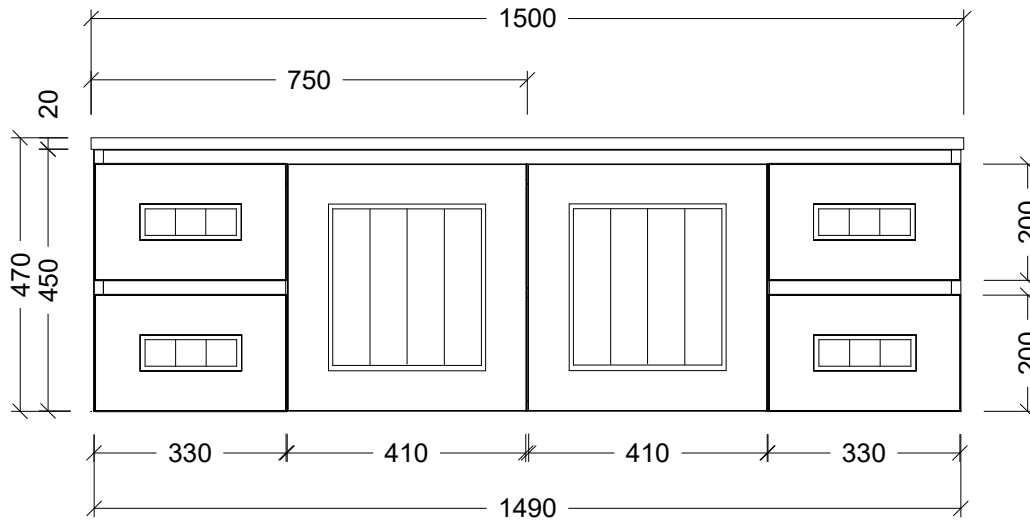
#### Top Notes

#### NOTES

Revision	01
Date	27/09/23

DIMENSIONS SHOWN ARE IN MILLIMETERS, ARE NOMINAL ONLY AND SUBJECT TO CHANGE AT ANY TIME.  
DO NOT SCALE DRAWINGS. INSTALLER TO CONFIRM ALL DIMENSIONS ON-SITE PRIOR TO INSTALL.  
SIZE VARIATION (+/- 3%) IS TO BE EXPECTED ON CERAMIC TOPS.  
E&OE.

Copyright ©



# Timberline

22 Myrtle Drive, Armidale NSW 2350  
www.timberline.com.au  
02 6773 8500