



Range	Austin Cambridge
Mount	Wall Hung
Size	1500
SKU	AUSC-VCO-1500-D-X-W

TOP DETAILS

Available Tops	1. Alpha Ceramic-410mm
	2. Regal Mineral-420mm

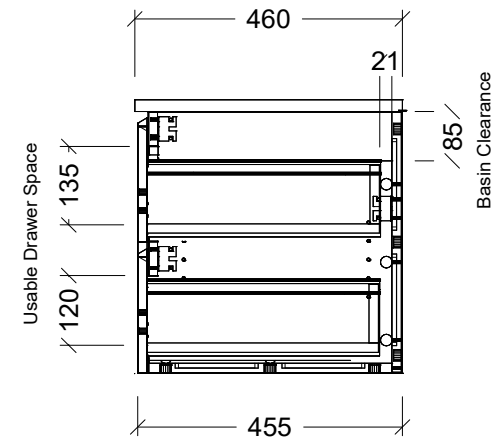
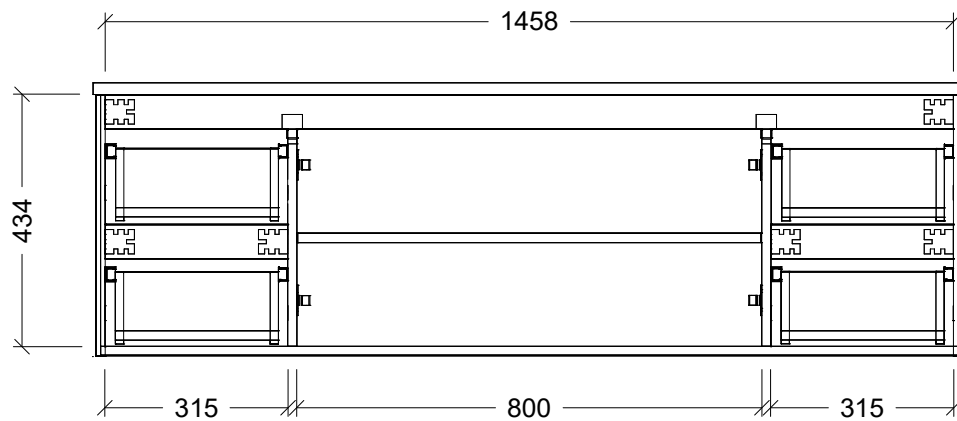
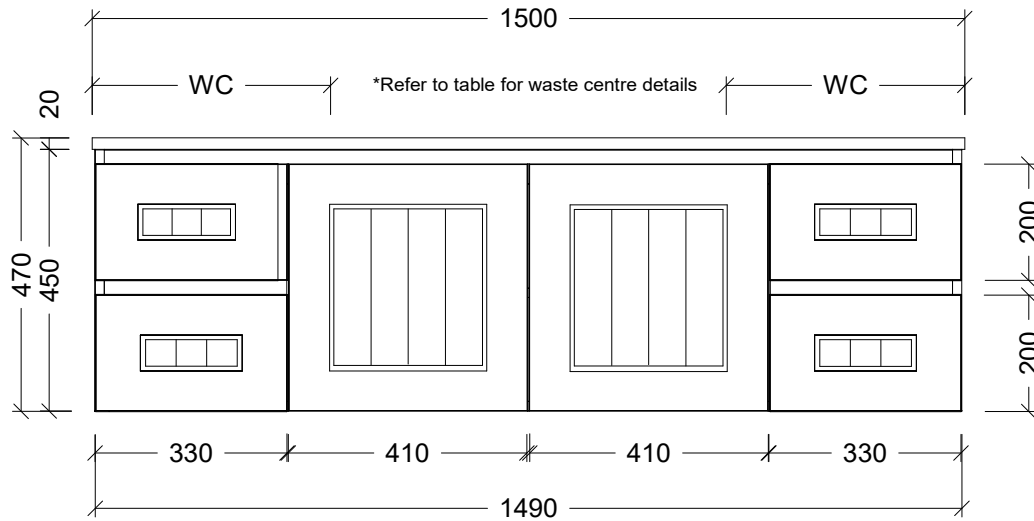
Top Notes

NOTES

Revision	01
Date	27/09/23

DIMENSIONS SHOWN ARE IN MILLIMETERS, ARE NOMINAL ONLY AND SUBJECT TO CHANGE AT ANY TIME.
DO NOT SCALE DRAWINGS.
INSTALLER TO CONFIRM ALL DIMENSIONS ON-SITE PRIOR TO INSTALL.
SIZE VARIATION (+/- 3%) IS TO BE EXPECTED ON CERAMIC TOPS.
E&OE.

Copyright ©



Timberline

22 Myrtle Drive, Armidale NSW 2350
www.timberline.com.au
02 6773 8500